

Valves for Cryogenic Service

Type 09340 - Gate Valve



Cryogenic-Gate Valves, PN50

Stainless steel body and topwork,
one way tightening (in flow direction),
"live loaded" gland packing
"cleaned and degreased for oxygen service"

Part No. 09340.X.001* (Height H for size DN25, DN40 und DN100)

Part No. 09340.X.002* (Height H for size DN50, DN65 und DN80)

*Butt weld connection for stainless steel pipes acc. to DIN EN ISO 1127 or ASTM A312

Part No. 09340.X.0014 (Height H for size DN25, DN40 und DN100)

Part No. 09340.X.0024 (Height H for size DN50, DN65 und DN80)

Socket weld connection for stainless steel pipes acc. to DIN EN ISO 1127 and ASTM A312

Available options - on request only:

· other connections are in preparation



Applications:

Approved for air gases, vapours and cryogenic liquefied gases incl. LNG.

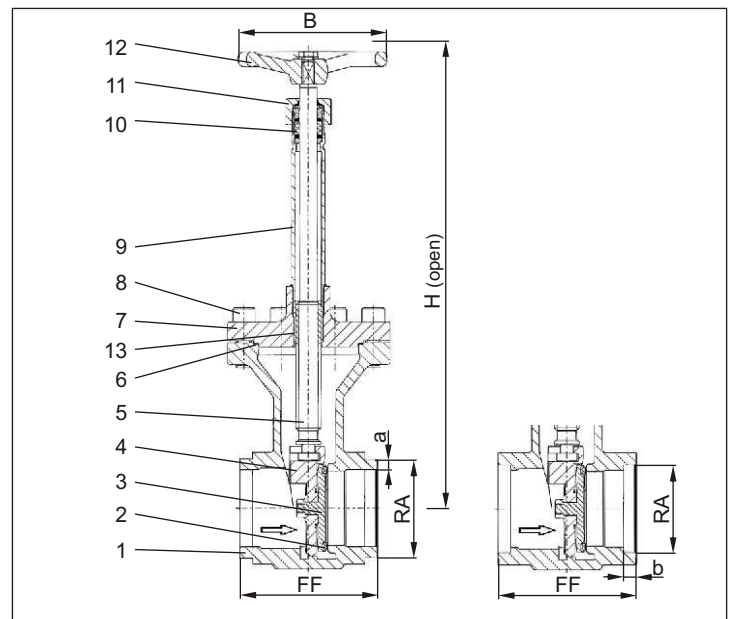
Working temperature: -196°C / -321°F (77K) up to +120°C / +248°F (393K)

| Materials | DIN EN | ASTM |
|-------------------|----------------------------|------------------|
| 1 Body | 1.4308 | A 351 CF8 |
| 2 Valve seal | PTFE / Carbon filled (25%) | |
| 3 Disc | CW452K | B 103 UNS C51900 |
| 4 Wedge | 1.4308 | A 351 CF8 |
| 5 Stem | 1.4301 | A 276 Grade 304 |
| 6 Bonnet gasket | PTFE | |
| 7 Headpiece | 1.4308 | A 351 CF8 |
| 8 Bolts | 1.4301/A2 | A 194 B8 |
| 9 Elongation tube | 1.4541 | A 213 TP 321 |
| 10 Gland packing | Graphite / PTFE | |
| 11 Gland nut | 1.4305 | A 276 Grade 303 |
| 12 Handwheel | Aluminium alloy | |
| 13 Bush | CW452K | B 103 UNS C51900 |

Standard marking acc. to Pressure Equipment Directive 97/23/EG (PED).



Marking acc. to Directive 99/36/EG (TPED) will only be carried out by written notice on purchase order.



| Type 09340 | Technical data | | | | | | | |
|---------------------------------|-------------------|-------|-------|-------|-------|-------|-------|-----|
| | Nominal size | DN | 25 | 40 | 50 | 65 | 80 | 100 |
| Dimension code | .X. | 2533 | 4048 | 5060 | 657x | 8088 | 0114 | |
| Face-to-face dimension | FF | 133 | 133 | 110 | 110 | 110 | 130 | |
| Height | H | 330 | 360 | 410 | 440 | 450 | 570 | |
| Outside pipe-Ø EN ISO 1127 | RA | 33.7 | 48.3 | 60.3 | 76.1 | 88.9 | 114.3 | |
| Wall thickness pipe EN ISO 1127 | a | 2.0 | 2.0 | 2.0 | 2.6 | 3.2 | 3.2 | |
| Outside pipe-Ø ASTM A312 | RA | 33.40 | 48.26 | 60.33 | 73.03 | 88.90 | 114.3 | |
| Wall thickness pipe ASTM A312 | a | S10 | S10 | S10 | S10 | S10 | S10 | |
| Socket depth | b | 8 | 13 | 16 | 16 | 16 | 20 | |
| Handwheel-Ø | B | 125 | 125 | 150 | 150 | 150 | 200 | |
| Weight | ca. kg | 3.3 | 4.8 | 7.5 | 8.6 | 11.4 | 21.8 | |
| Kvs – Value | m ³ /h | 43 | 93 | 125 | 283 | 310 | 792 | |
| Cv – Value | gal /min | 51 | 111 | 149 | 337 | 369 | 943 | |

Dimensions in mm.